



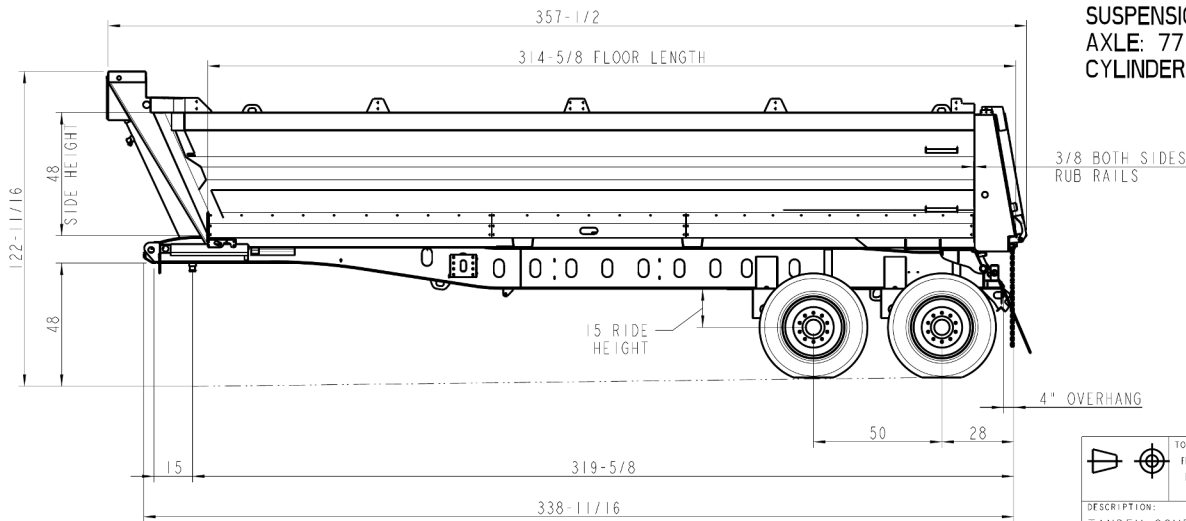
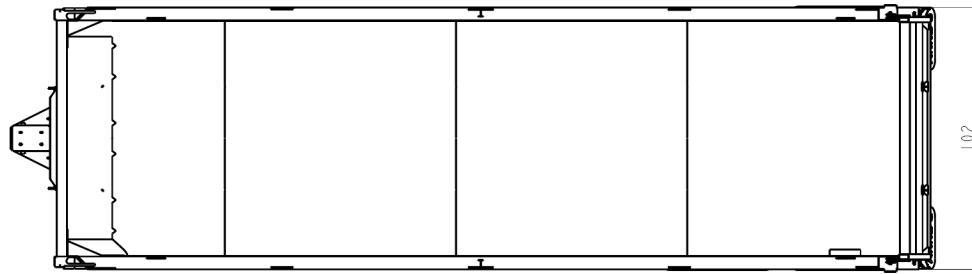
## Maximizer 210

### Tandem Axle Square Style End Dump

#### Standard Specifications

- Overall Height - 9' 6" With 50" Fifth Wheel
- Overall Length - 29' 9.5"
- Axle Spread - 50"
- Wall Height - 48"
- King Pin Setting - 15", 84" Turning Clearance
- King Pin Height 50"
- Body Capacity - 29 Cubic Yards
- Hoist - Custom Hoist, 8" 5 Stage, 250" Stroke
- RTAC Compliant - Yes
- Box Floor - 3/16 Abrasive Resistant 200 Steel
- Box Front - 10 Gauge Steel, Rounded Corners
- Box Sides - 12 Gauge Upper, 10 Gauge Lower
- Tailgate Latch - Air Trip With Manual Override
- Tailgate - 10 Gauge Formed One Piece, Plated Spreader Chain
- Suspension - INTRAAX AA250 Air Ride 25,000LB Capacity Per Suspension
- Axles - 77 Inch Track
- Wheel- Unimount 10 Hole With Light Weight Hubs And Drums. 8.25 X 22.
- Tires - BFGoodrich Cross Control S - 11R X 22.5
- ABS 2 Sensor System, 1 Module
- Ladder - Formed Steel Welded To Box
- Pin up Landing Legs





SUSPENSION: INTRAAX 250-15-775  
 AXLE: 77 1/2" TRACK  
 CYLINDER: 85-2-250

3/8 BOTH SIDES  
 RUB RAILS

		TOLERANCES FRACTIONS ±1/16" DECIMALS ±0.005" ANGLES ±0.5°			
DESCRIPTION: TANDEM COMPLETE				PAGE 1 OF 9	
TDM 314 GRAVEL (INTRAAX)		DRAWN BY: MC	DATE: JUNI 7/15	SCALE: 19:700	DRAWING NUMBER EC035900

# Available Options

- 1 or 2 Axle Auto Deploy Lift Kit
- 2" X 6" Planks - Wood or Steel
- 2" X 12" Planks - Wood or Steel
- Mesh or Neoprene Cable Style Tarp - Electric or Manual
- Hardox - 4MM 450 On Walls and Floor
- LED Light Package
- 11R24.5 - Tires
- Disc Brakes
- Steel Aluminum Look-Alike Rims
- Aluminum Machined or Polished Rims
- Mudflap Packages
- Hubodometer - Drivers Side
- Hydraulic Highlift Tailgate
- Watertight Tailgate with 4 Turnbuckles
- Additional Turn Buckles on Tailgate
- Sealed Tailgate With 2 Turnbuckles
- Aluminum Trim Package
- Remote Grease System
- Vibrators - Air or Electric
- Back up Alarm
- 2 Speed Crank Down Legs
- Gravel or Asphalt Position
- Spare Tire Carrier Under Frame
- Ladder - Front Mounted

Note: The information and specifications provided are based on our latest product information at time of publication. Arne's Trailers reserves the right to make changes at any time to products described or illustrated herein without notice or liability.