



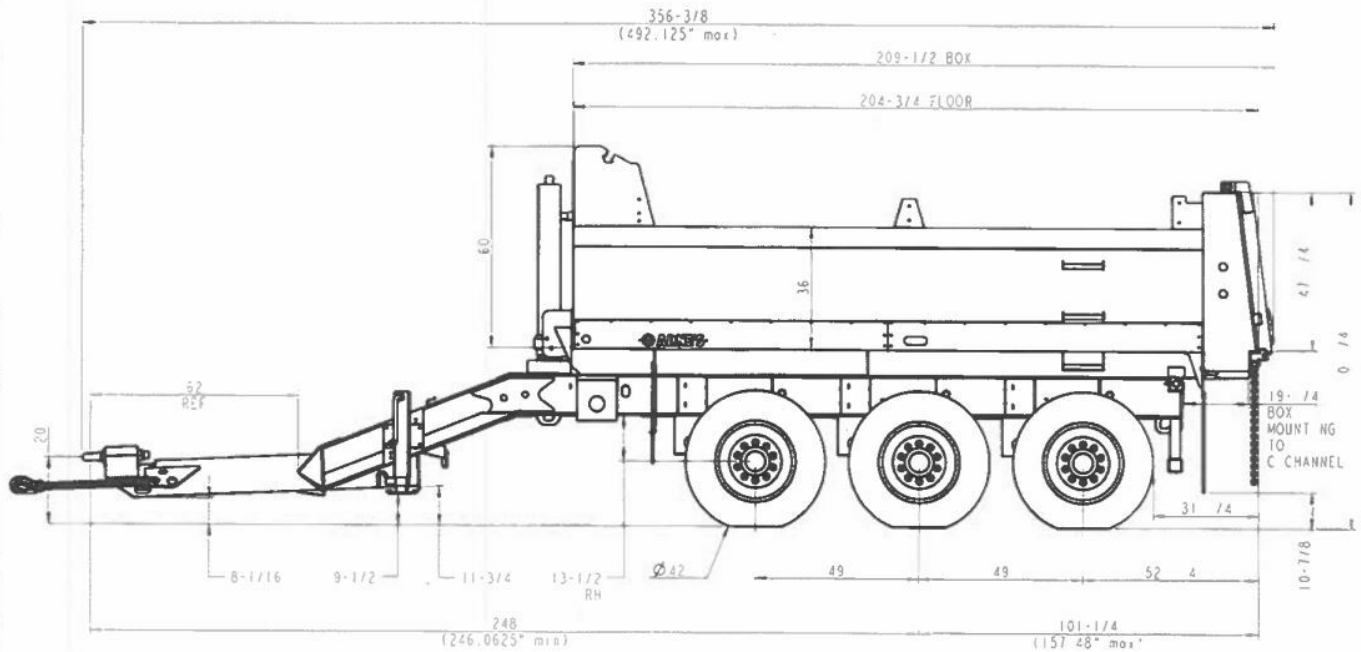
Square Box Pony Pup

Tri-Axle Pony Pup End Dump

Standard Specifications

- Overall Length - 29' (nominal)
- Box Length - 17'
- Overall Width - 102"
- Axle Spread - 49"
- Body Capacity - 14.5 Cubic Yards, 29 Cubic Yards (Water Capacity)
- Box Front - 43" 4mm AR450
- Wall Height - 36"
- Box Sides - 4mm AR450
- Box Floor - 3/16" AR200
- Suspension - INTRAAX AAT 25K
- Axles - 77 Inch Track
- Wheel- Unimount 10 Hole With Light Weight Hubs And Drums. 8.25 X 22.5
- Tires - Firestone T819 - 11R X 22.5





TIRES : 11R22.5
 CYL : MAILHOT G3 150-5-4
 MAILHOT AC4030W SADDLE

VOLUME : 14.5 CU. YD.
 WATER CAPACITY

TOLERANCES FRACTIONS - 1/16" DECIMALS - 0.015"		ARNE'S	
DESCRIPTION	DATE	SCALE	DRAWING NUMBER
7FT POINT PUP	AM	AUG03/2	3 - 800
			EC042300

Available Options

- Auto Deploy Lift Kit
- Electric Cable Style Tarp - Mesh
- Electric Flip Tarp System - Mesh
- 11R24.5 - Tires
- Disc Brakes
- Steel Aluminum Look-Alike Rims
- Aluminum Machined or Polished Rims

Authorized Dealer

For More Information:

Please Contact Your Authorized Dealer