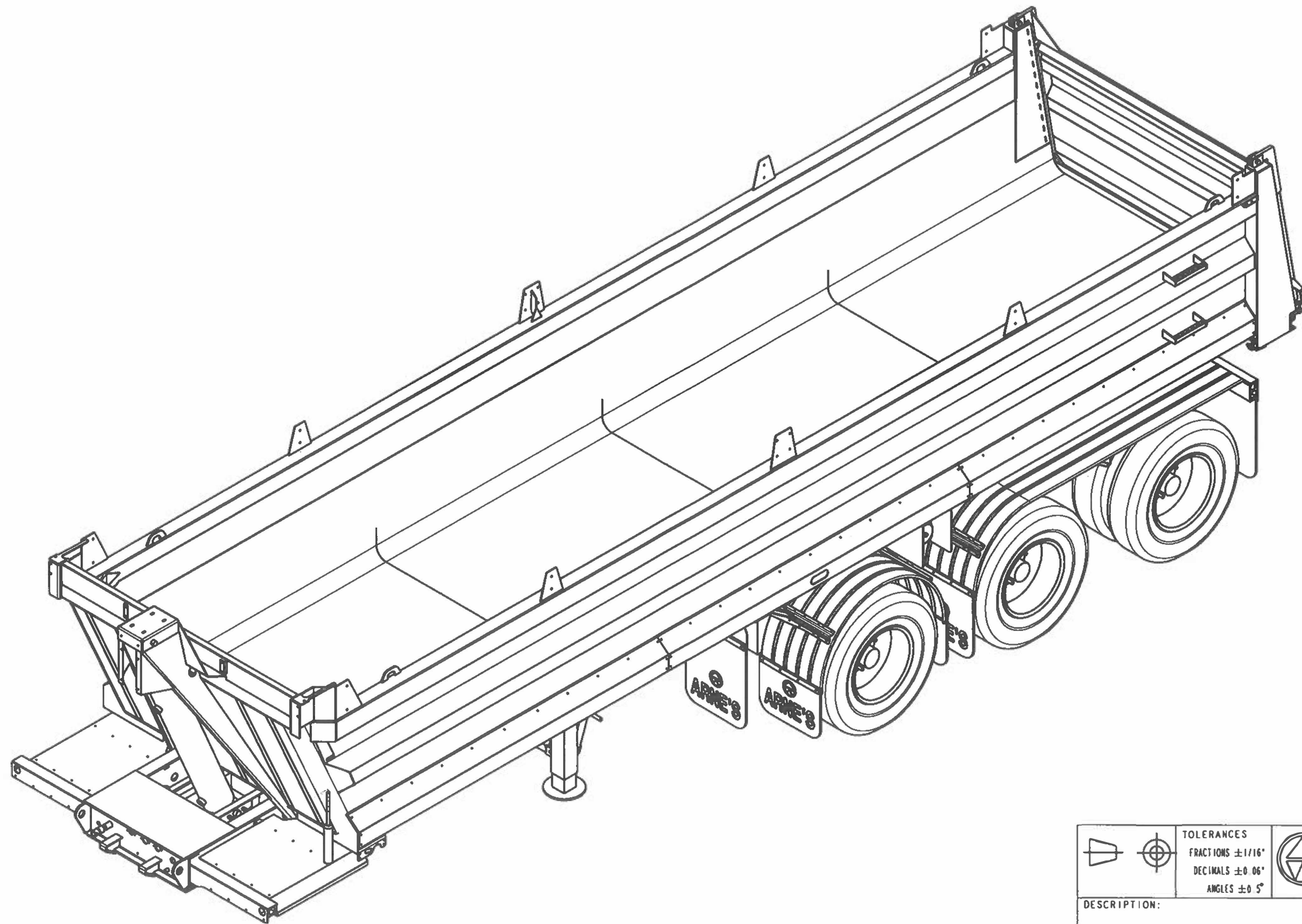


NOTE:  
 CUT THREE (1) PIECE/LENGTH  
 OF 1" HYDRAULIC HOSE AT 60"  
 (LENGTHS DO NOT INCLUDE FITTINGS)

JUL 29 2020

		<b>TOLERANCES</b> FRACTIONS $\pm 1/16"$ DECIMALS $\pm 0.06"$ ANGLES $\pm 0.5^\circ$		<b>ARNE'S</b>	
TRI INTRAAX TROMBONE 374" BOX					1
DRAWN BY:	DATE:	SCALE:	DRAWING NUMBER		
SB	JUL 29/20	1:40	<b>EC035000</b>		



JUL 29 2020

	<p>TOLERANCES          FRACTIONS <math>\pm 1/16"</math>          DECIMALS <math>\pm 0.06"</math>          ANGLES <math>\pm 0.5^\circ</math></p>		<p><b>ARNE'S</b></p>	
<p>TRI INTRAAX TROMBONE 374" BOX</p>			<p>OF 8</p>	
<p>DRAWN BY: SB</p>	<p>DATE: JUL 29/20</p>	<p>SCALE: 53:1600</p>	<p>DRAWING NUMBER <b>EC035000</b></p>	