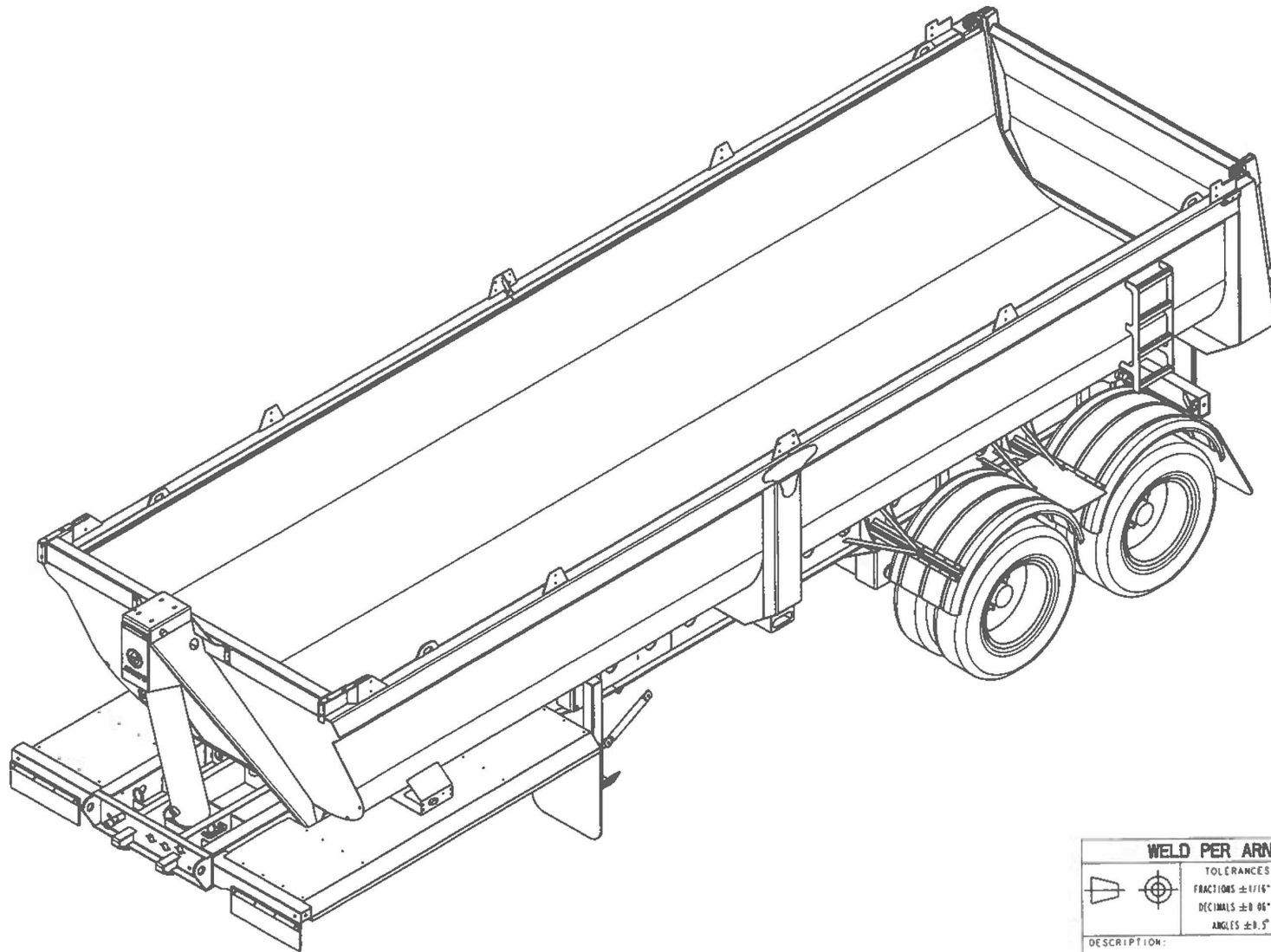


SUSPENSION: INTRAAX 250-15-775
 AXLE: 77 1/2" TRACK
 CYLINDER: 85-250

WELD PER ARNE'S WELDING STANDARD			
	TOLERANCES FRACTIONS ± 1/16" DECIMALS ± 0.01" ANGLES ± 0.5°		ARNE'S
	DESCRIPTION	DATE	
TUB BOX ON TDM FRAME ASPHALT	JUN30/22	1	9
DRAWN BY	SCALE	DRAWING NUMBER	
SB	1:200	EC040400	






WELD PER ARNE'S WELDING STANDARD			
	TOLERANCES FRACTIONS $\pm 1/16"$ DECIMALS $\pm 0.06"$ ANGLES $\pm 0.5^\circ$		ARNE'S
	DESCRIPTION:		
TUB BOX ON TDM FRAME ASPHALT			OF 9
DRAWN BY SB	DATE: JUN30/22	SCALE: 1:200	DRAWING NUMBER EC040400

337-13/32

46-1/2

317-7/16 MAX

48°

WELD PER ARNE'S WELDING STANDARD			
		TOLERANCES FRACTIONS ± 1/16" DECIMALS ± 0.06" ANGLES ± 0.5°	 ARNE'S
DESCRIPTION			PAGE
TUB BOX ON TDM FRAME ASPHALT			3
DRAWN BY			OF
SB	DATE	SCALE	DRAWING NUMBER
	JUN30/22	1:1-400	9 EC040400