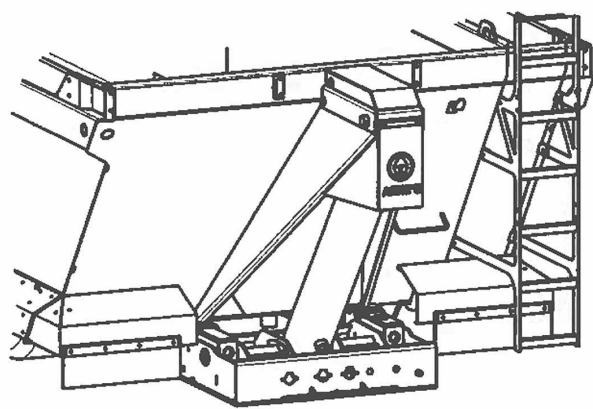
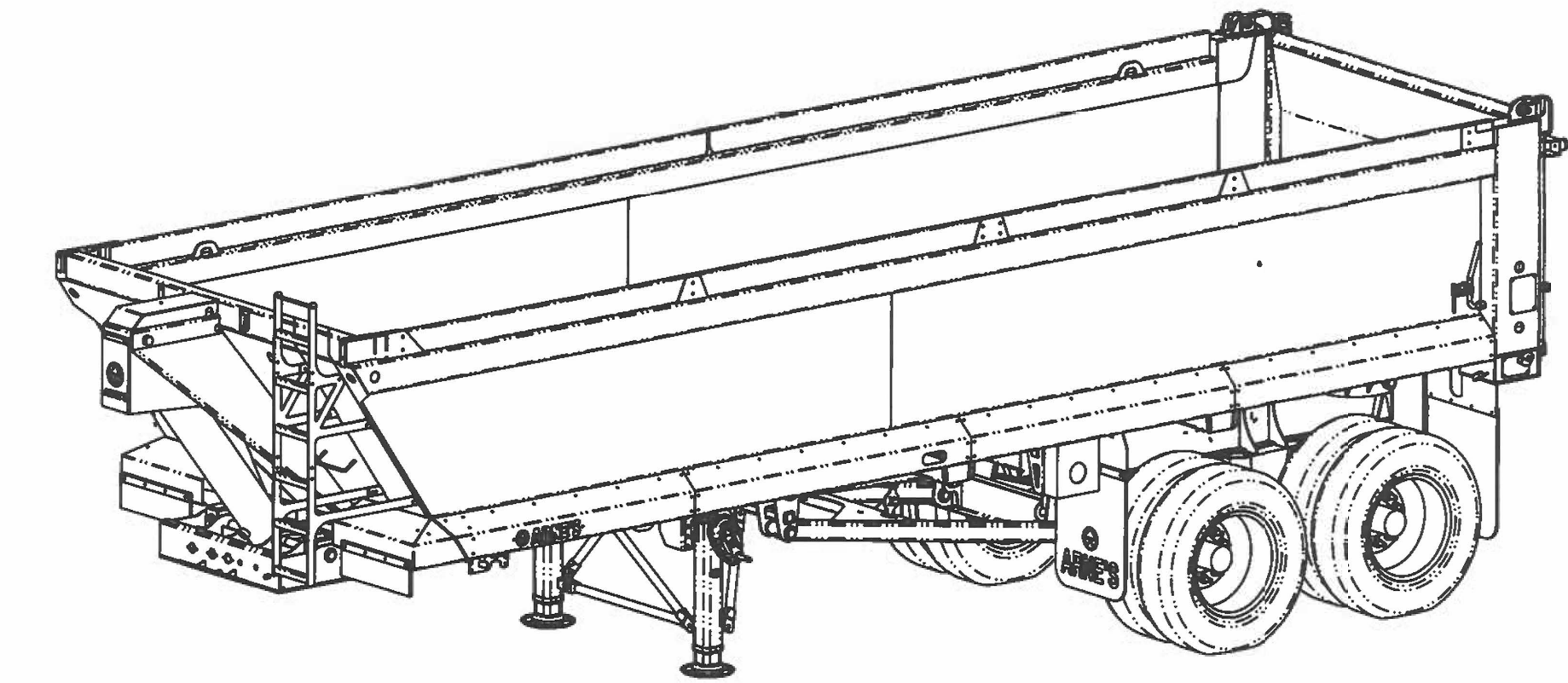
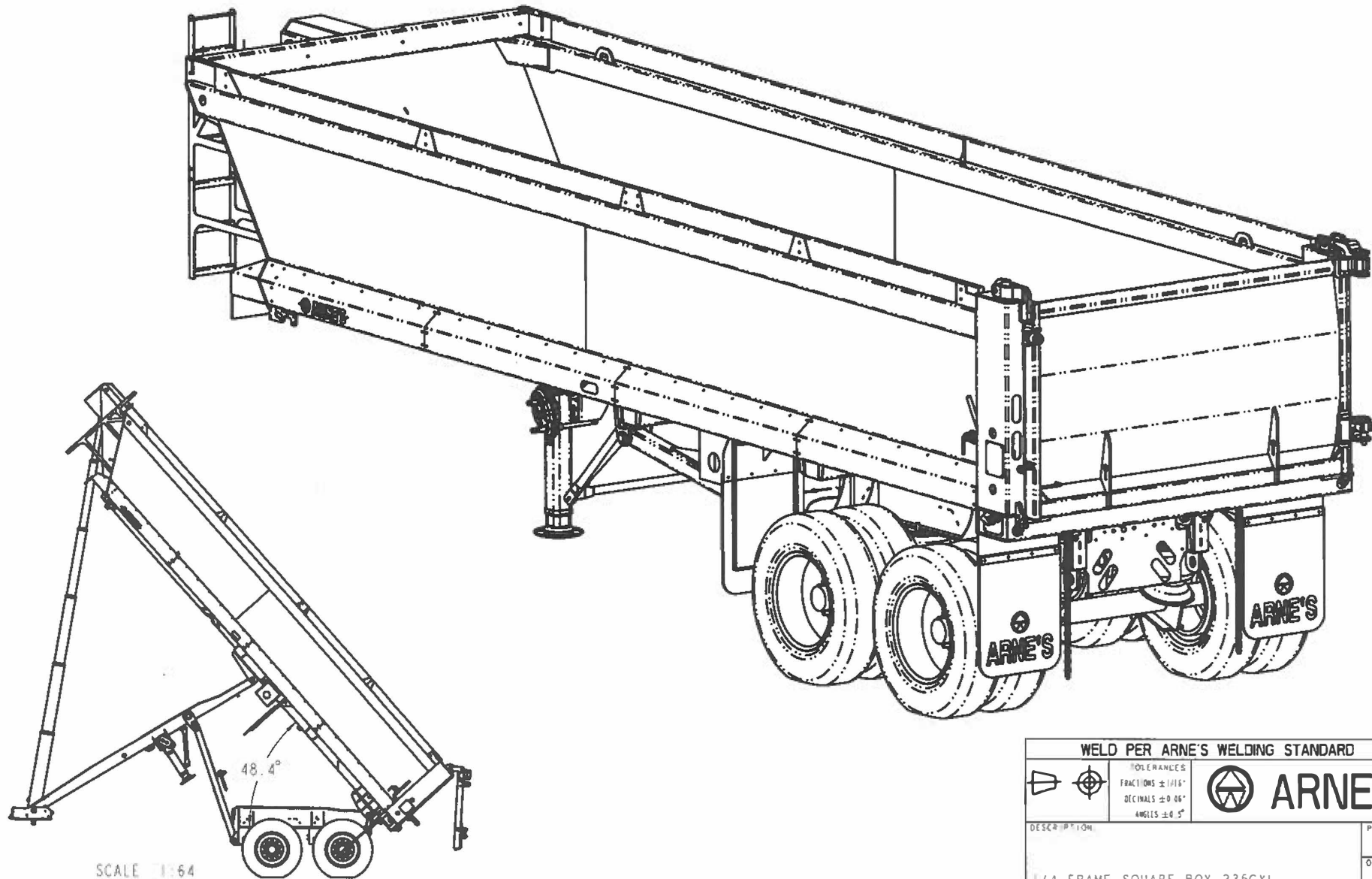


VOLUME: 30.75 CU. YD.
WATER CAPACITY

WELD PER ARNE'S WELDING STANDARD			
	TOLERANCES FRACTIONS ±1/16" DECIMALS ±0.05" ANGLES ±0.5°		ARNE'S
	DESCRIPTION		
174 FRAME SQUARE BOX 235CYL			1
DRAWN BY AM			OF 9
DATE OCT 28/21	SCALE 47:1 600	DRAWING NUMBER EC041100	

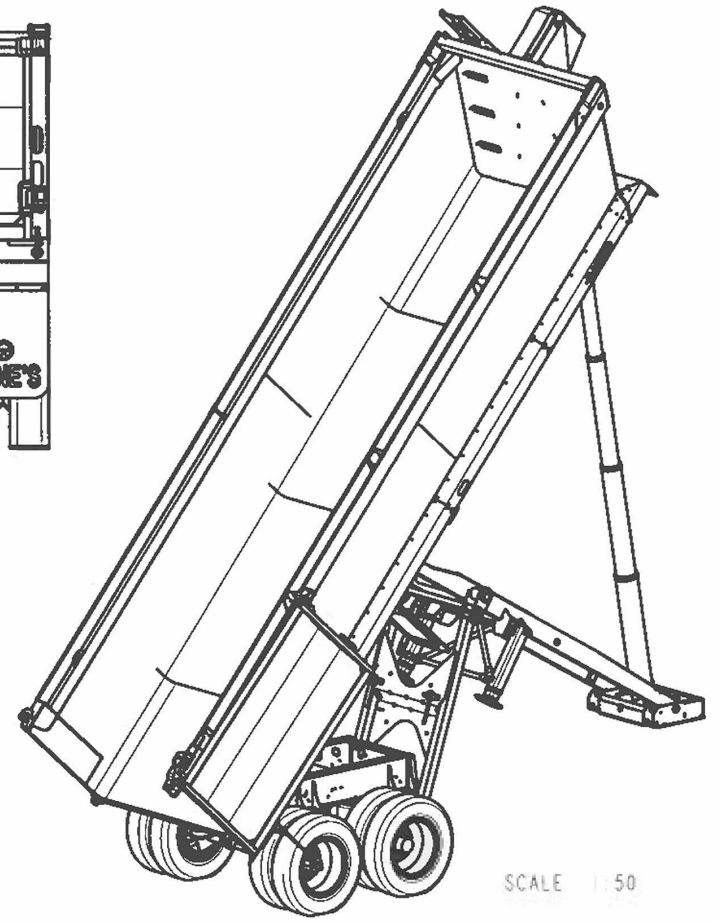
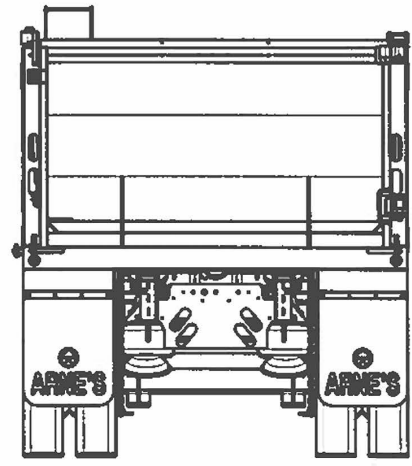
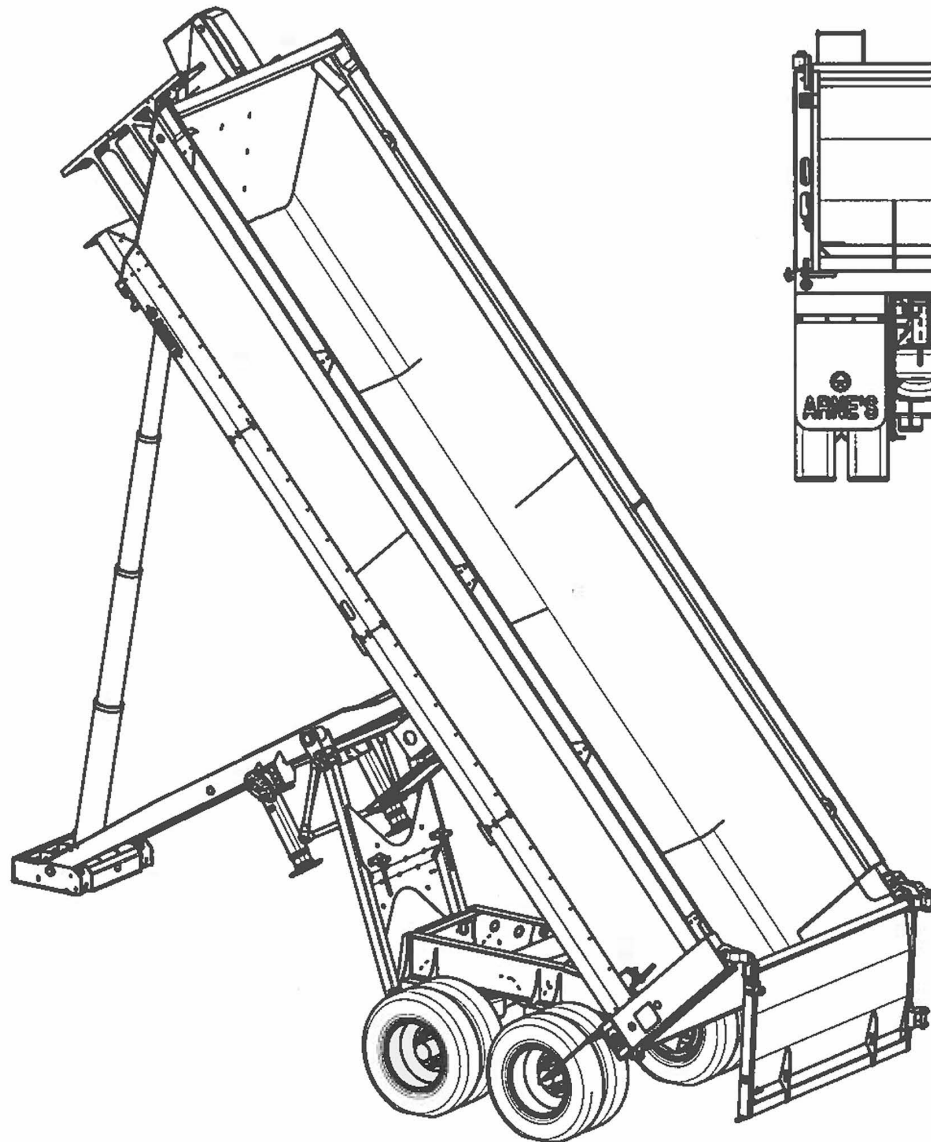


WELD PER ARNE'S WELDING STANDARD			
	TOLERANCES		ARNE'S
	FRACTIONS $\pm 1/16"$ DECIMALS $\pm 0.01"$ ANGLES $\pm 0.5^\circ$		
DESCRIPTION			PAGE
1/4 FRAME SQUARE BOX 235CYL			2
			OF
			9
DRAWN BY	DATE	SCALE	DRAWING NUMBER
AM	OCT28/21	7:160	EC041100



SCALE 1:64

WELD PER ARNE'S WELDING STANDARD			
	TOLERANCES		
	FRACTIONS $\pm 1/16"$ DECIMALS $\pm 0.06"$ ANGLES $\pm 5^\circ$		
DESCRIPTION			PAGE
1/4 FRAME SQUARE BOX 235CYL			3
DRAWN BY			OF
AM			9
DATE		SCALE	DRAWING NUMBER
OCT28/21		73-1600	EC041100



SCALE 1:50

WELD PER ARNE'S WELDING STANDARD			
	TOLERANCES		
	FRACTIONS $\pm 0.015"$ DECIMALS $\pm 0.005"$ ANGLES $\pm 0.5^\circ$		
DESCRIPTION			PAGE
4 FRAME SQUARE BOX 235CYL			4
			9
DRAWN BY AM	DATE: OCT28/2	SCALE 1:32	DRAWING NUMBER EC041100