
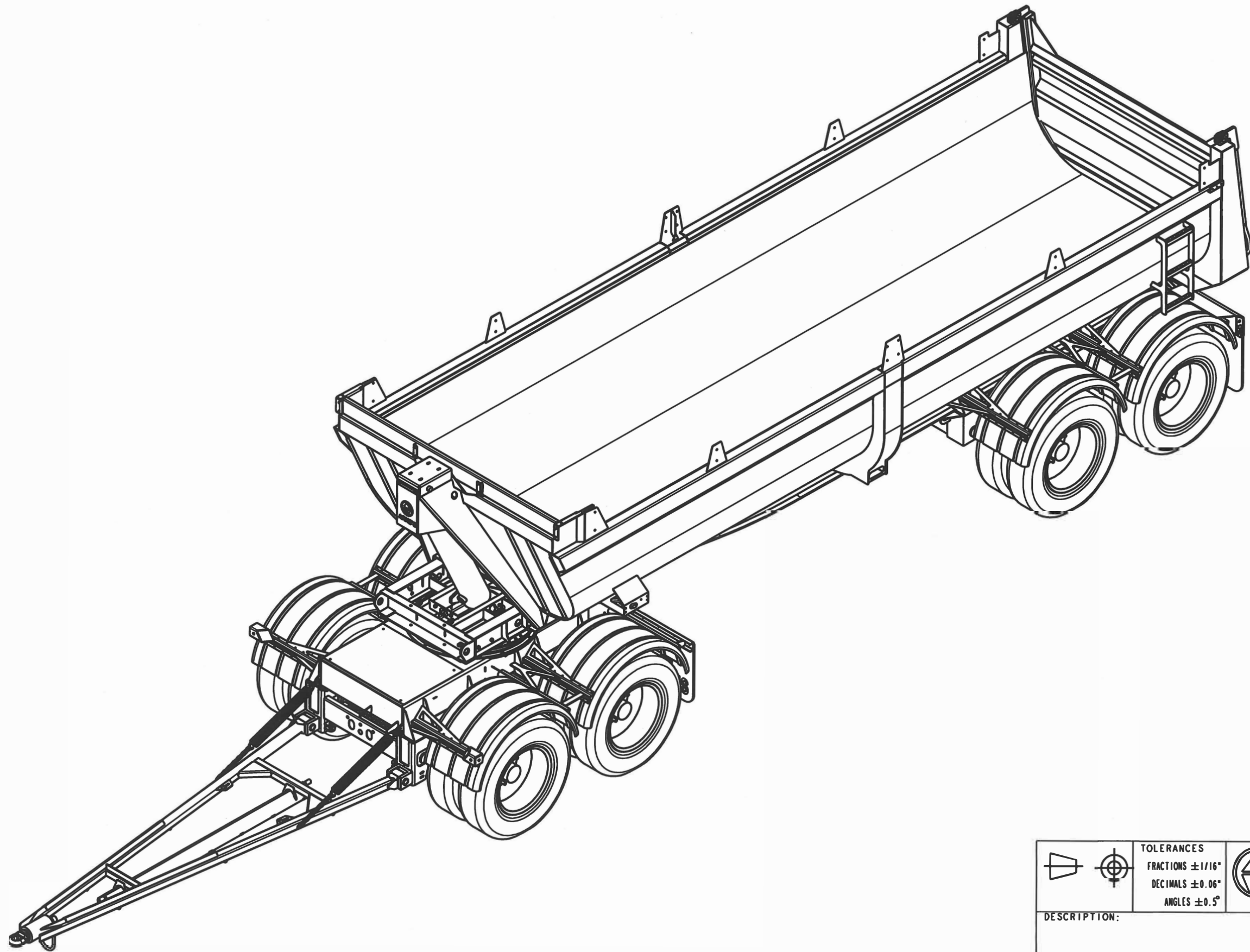
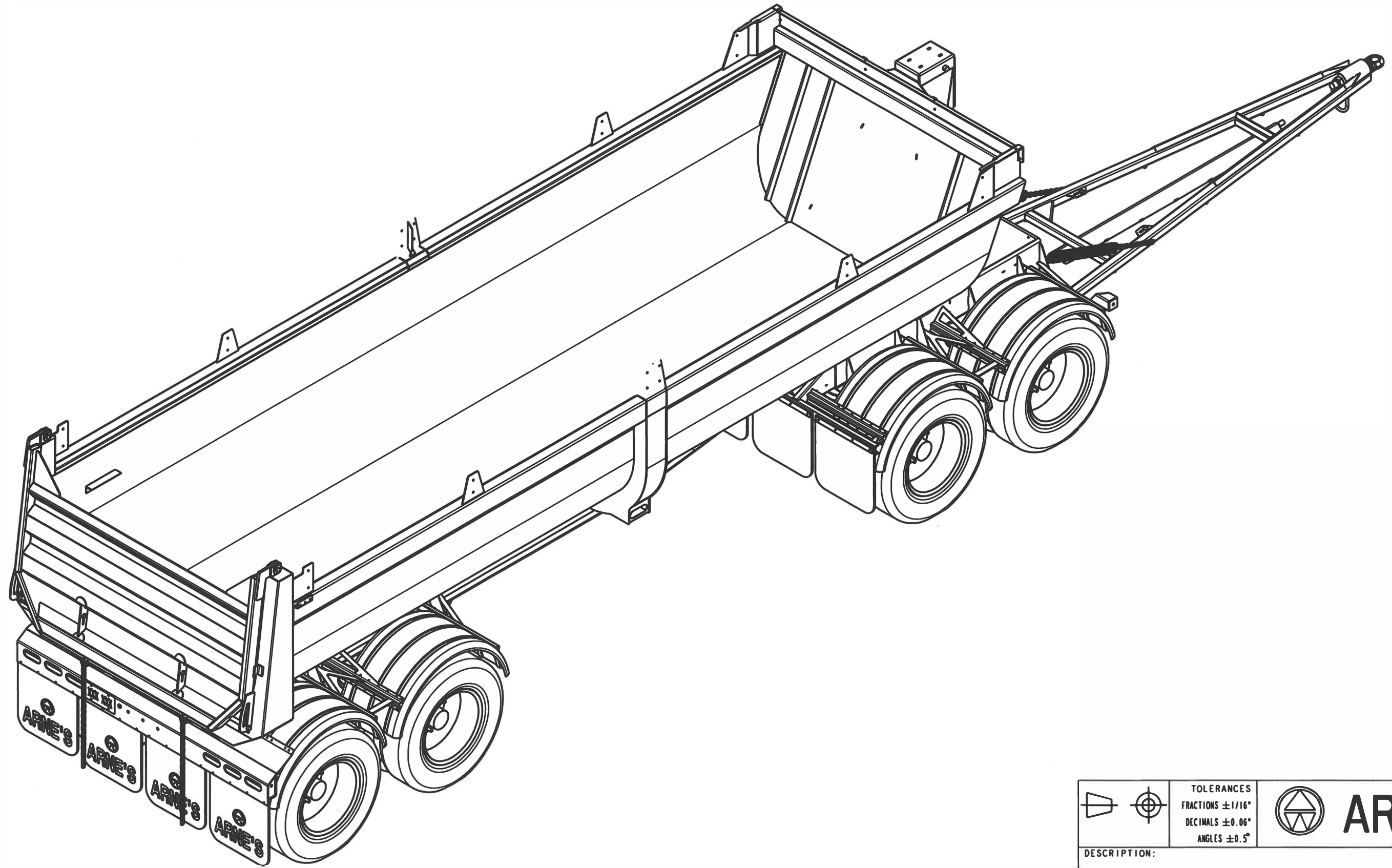
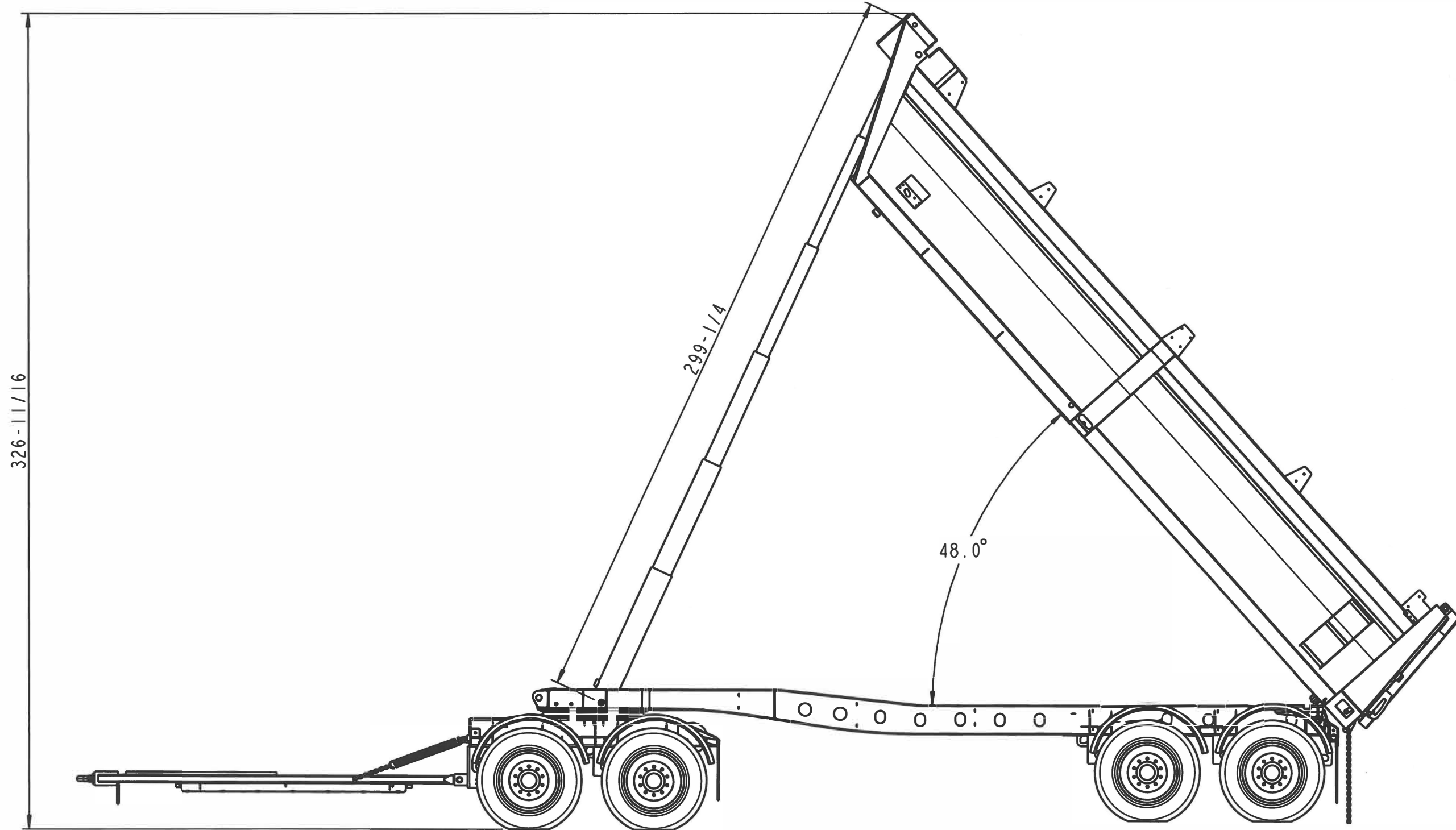
	TOLERANCES FRACTIONS $\pm 1/16"$ DECIMALS $\pm 0.06"$ ANGLES $\pm 0.5^\circ$	 ARNE'S	
	DESCRIPTION: TDM WAGON TUB 294" BOX		PAGE 1 OF 7
DRAWN BY: DR	DATE: DEC 11 / 18	SCALE: 4 : 175	DRAWING NUMBER EC036200






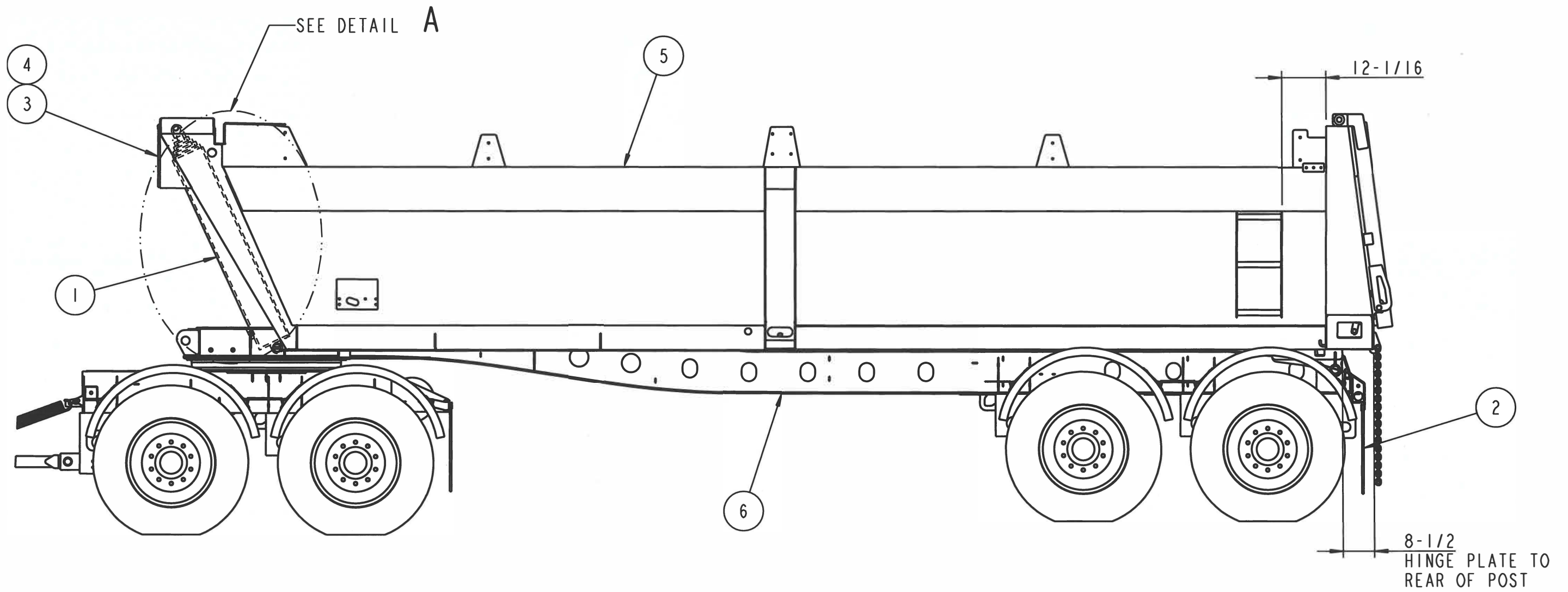
		TOLERANCES FRACTIONS $\pm 1/16"$ DECIMALS $\pm 0.06"$ ANGLES $\pm 0.5^\circ$		ARNE'S
DESCRIPTION:				PAGE 2
TDM WAGON TUB 294" BOX				OF 7
DRAWN BY: DR	DATE: DEC11/18	SCALE: 3:100	DRAWING NUMBER EC036200	

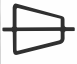




		TOLERANCES FRACTIONS $\pm 1/16"$ DECIMALS $\pm 0.06"$ ANGLES $\pm 0.5^\circ$		ARNE'S
DESCRIPTION:				PAGE 3
TDM WAGON TUB 294" BOX				OF 7
DRAWN BY: DR	DATE: DEC11/18	SCALE: 37:1050	DRAWING NUMBER EC036200	



 	TOLERANCES FRACTIONS $\pm 1/16"$ DECIMALS $\pm 0.06"$ ANGLES $\pm 0.5^\circ$		 ARNE'S
	DESCRIPTION:		
TDM WAGON TUB 294" BOX			PAGE 4 OF 7
DRAWN BY: DR	DATE: DEC11/18	SCALE: 13:525	DRAWING NUMBER EC036200



 		TOLERANCES FRACTIONS $\pm 1/16"$ DECIMALS $\pm 0.06"$ ANGLES $\pm 0.5^\circ$	 ARNE'S
DESCRIPTION: TDM WAGON TUB 294" BOX			PAGE 5 OF 7
DRAWN BY: DR	DATE: DEC11/18	SCALE: 37:1050	DRAWING NUMBER EC036200