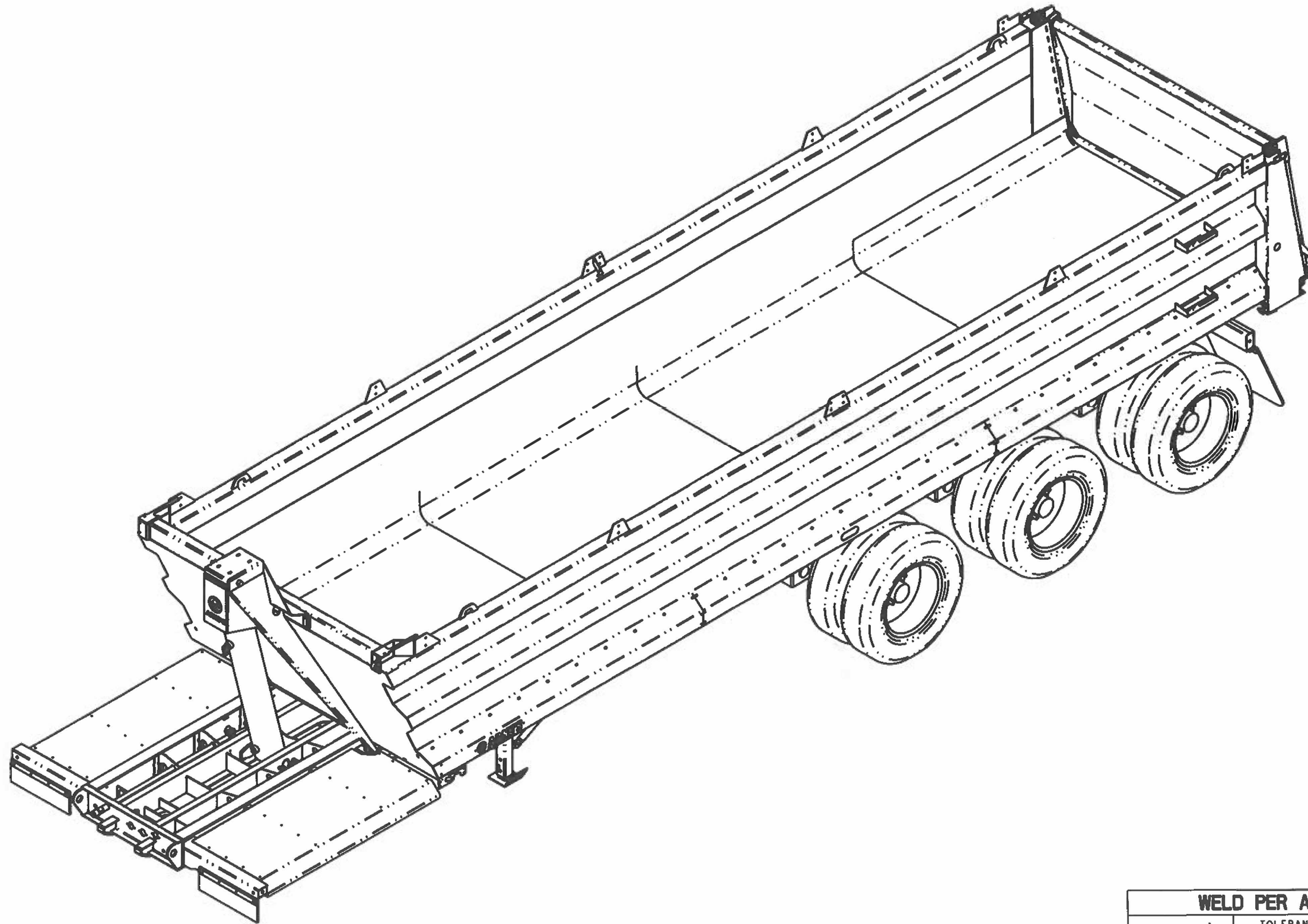



SUSPENSION: INTRAAX 250
 AXLE: 77 1/2" TRACK
 CYLINDER: 85-265

WELD PER ARNE'S WELDING STANDARD			
	<small>TOLERANCES</small> FRACTIONS ± 1/16" DECIMALS ± 0.06" ANGLES ± 0.5°		ARNE'S
DESCRIPTION: TRI-AXLE COMPLETE			PAGE 1
TRI AXLE 360 ASPHALT (INTRAAX)			OF 11
DRAWN BY: SB	DATE: JUN27/22	SCALE: 1:40	DRAWING NUMBER EC039800



WELD PER ARNE'S WELDING STANDARD

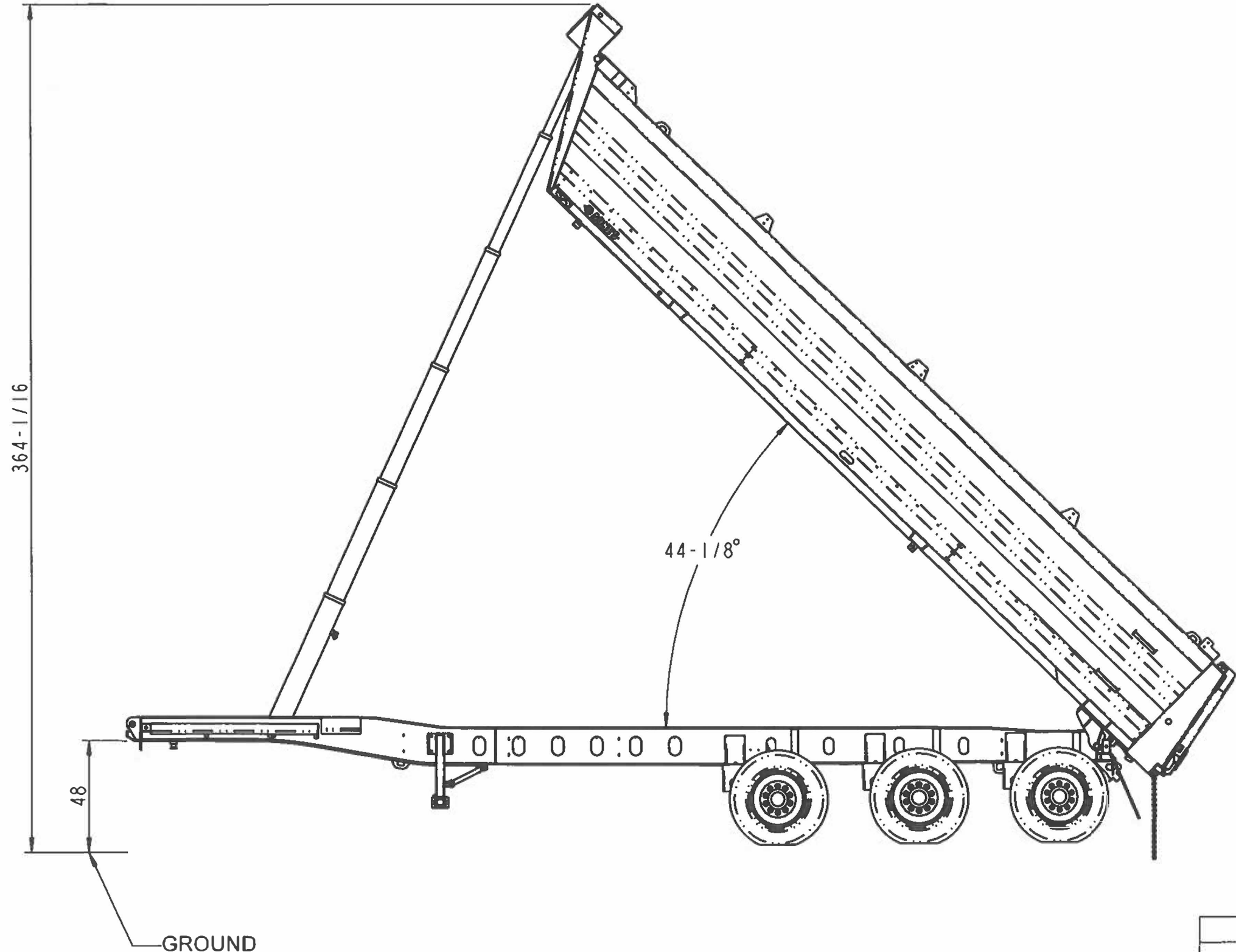


 TOLERANCES
 FRACTIONS $\pm 1/16"$
 DECIMALS $\pm 0.06"$
 ANGLES $\pm 0.5^\circ$



ARNE'S

DESCRIPTION:			PAGE
TRI-AXLE COMPLETE			2
TRI AXLE 360 ASPHALT (INTRAAX)			OF
			11
DRAWN BY:	DATE:	SCALE:	DRAWING NUMBER
SB	JUN27/22	3:100	EC039800



GROUND

WELD PER ARNE'S WELDING STANDARD			
	TOLERANCES FRACTIONS $\pm 1/16"$ DECIMALS $\pm 0.06"$ ANGLES $\pm 0.5^\circ$		ARNE'S
DESCRIPTION: TRI- AXLE COMPLETE			PAGE 3
TRI AXLE 360 ASPHALT (INTRAAX)			OF 11
DRAWN BY: SB	DATE: JUN27/22	SCALE: 1: 50	DRAWING NUMBER EC039800