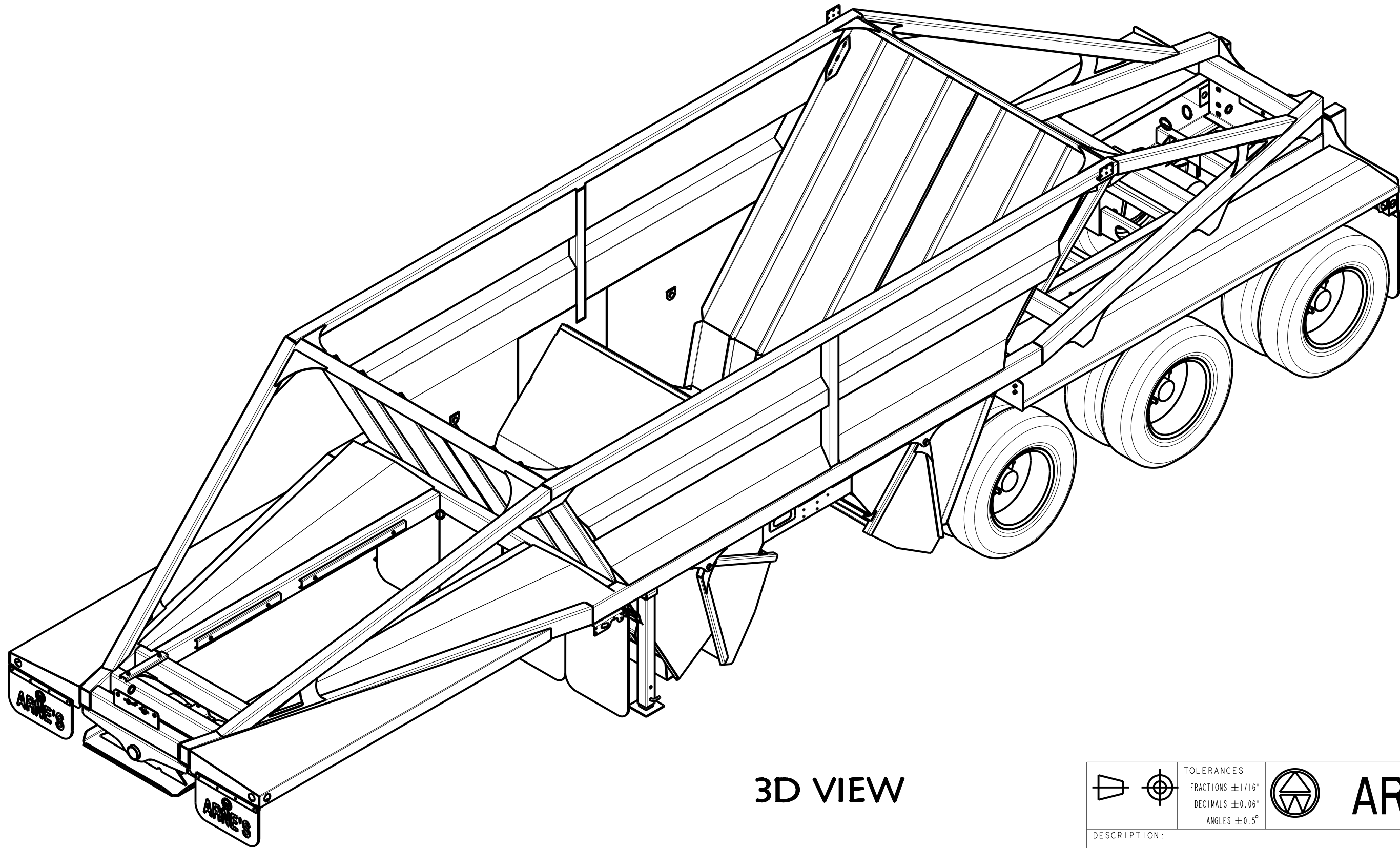





**SUSP: TURNER HT230TB17-001**  
**AXLE: 77" TRACK**

**VERIFY TIRES & RIMS WITH ORDER CONFIRMATION**

|                                      |                   |  |                                   |               |
|--------------------------------------|-------------------|--|-----------------------------------|---------------|
|                                      |                   | <b>TOLERANCES</b><br>FRACTIONS $\pm 1/16"$<br>DECIMALS $\pm 0.06"$<br>ANGLES $\pm 0.5^\circ$ |                                   | <b>ARNE'S</b> |
| DESCRIPTION:<br>2 BAY TRI 60" SPREAD |                   |  |                                   | PAGE<br>1     |
| CROSSGATE HOPPER                     |                   |  |                                   | OF<br>17      |
| DRAWN BY:<br>MC                      | DATE:<br>MAR31/15 | SCALE:<br>1:32   | DRAWING NUMBER<br><b>HH030500</b> |               |



3D VIEW

|   |  |                |   |               |
|---|--|----------------|---|---------------|
|   | <b>TOLERANCES</b><br>FRACTIONS $\pm 1/16"$<br>DECIMALS $\pm 0.06"$<br>ANGLES $\pm 0.5^\circ$ |                |  | <b>ARNE'S</b> |
|   | DESCRIPTION:<br>2 BAY TRI 60" SPREAD<br>CROSSGATE HOPPER                                     |                |   |               |
| DRAWN BY:<br>MC   | DATE:<br>MAR31/15  | SCALE:<br>3:80 | DRAWING NUMBER<br><b>HH030500</b>   |               |