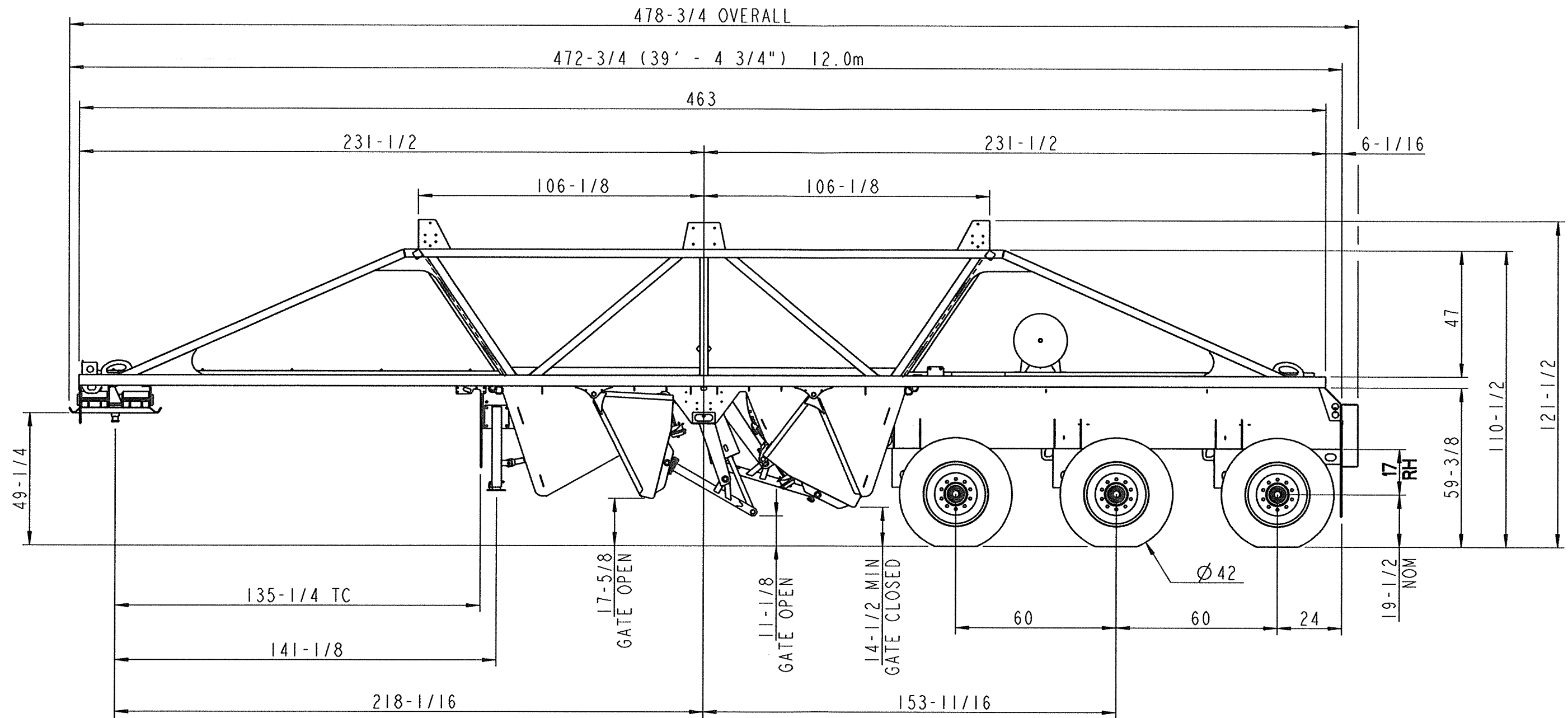


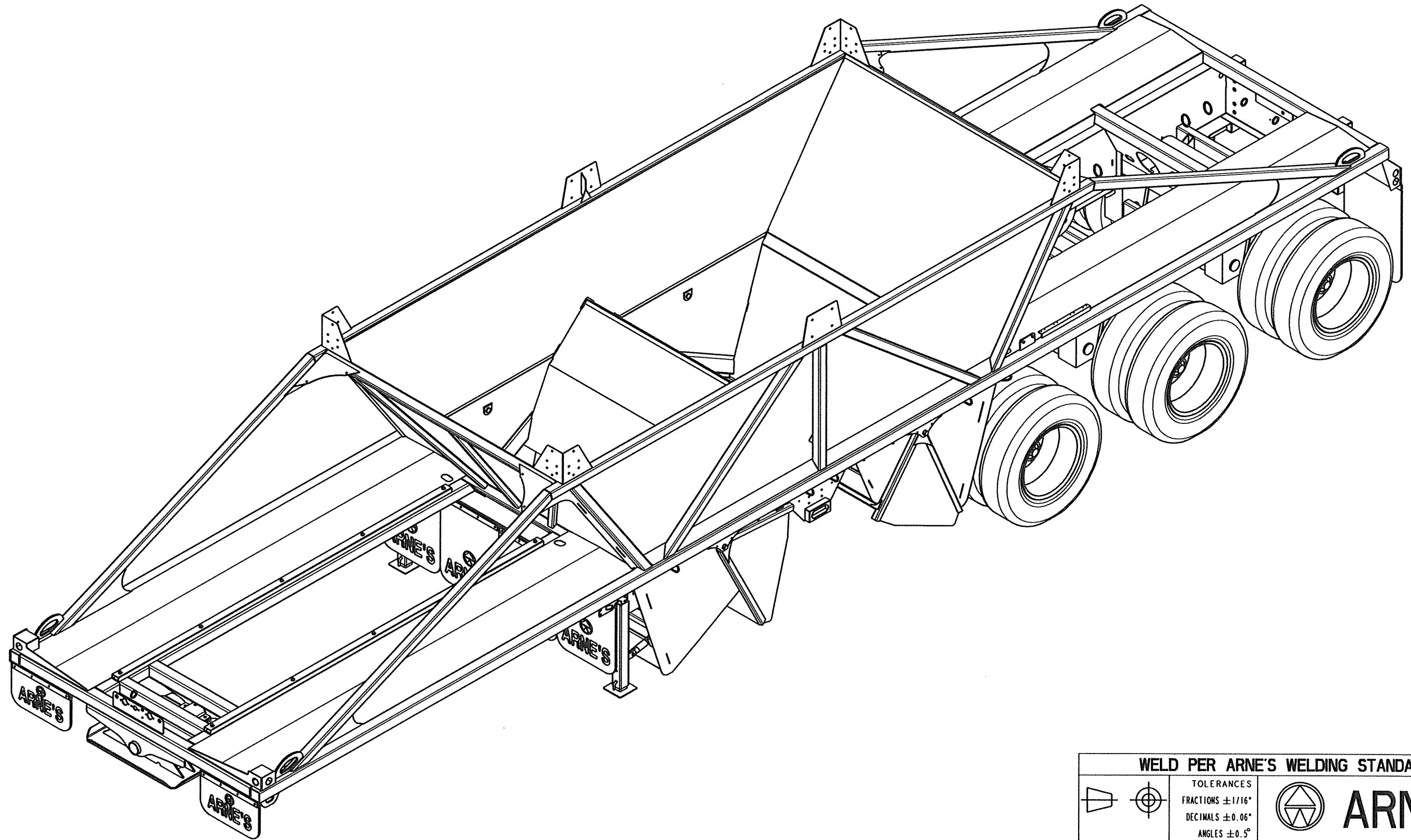
23.4 CU YDS CAPACITY (BOX ONLY)
PLUS 4.7 CU YDS (WITH 12" PLANKS)



16168 lbs / ASSY

HT230TB17-001 SUSP (17" RIDE HEIGHT)
AXLES 77-1/2" TRACK
SEE ORDER CONFIRMATION FOR TIRE / RIM SPECIFICATIONS

WELD PER ARNE'S WELDING STANDARD			
		TOLERANCES FRACTIONS ±1/16" DECIMALS ±0.06" ANGLES ±0.5°	ARNE'S
DESCRIPTION: TRI CROSSGATE			PAGE 1
LXG HOPPER			OF 13
DRAWN BY: CEM	DATE: JUN21/16	SCALE: 1:40	DRAWING NUMBER HH032000

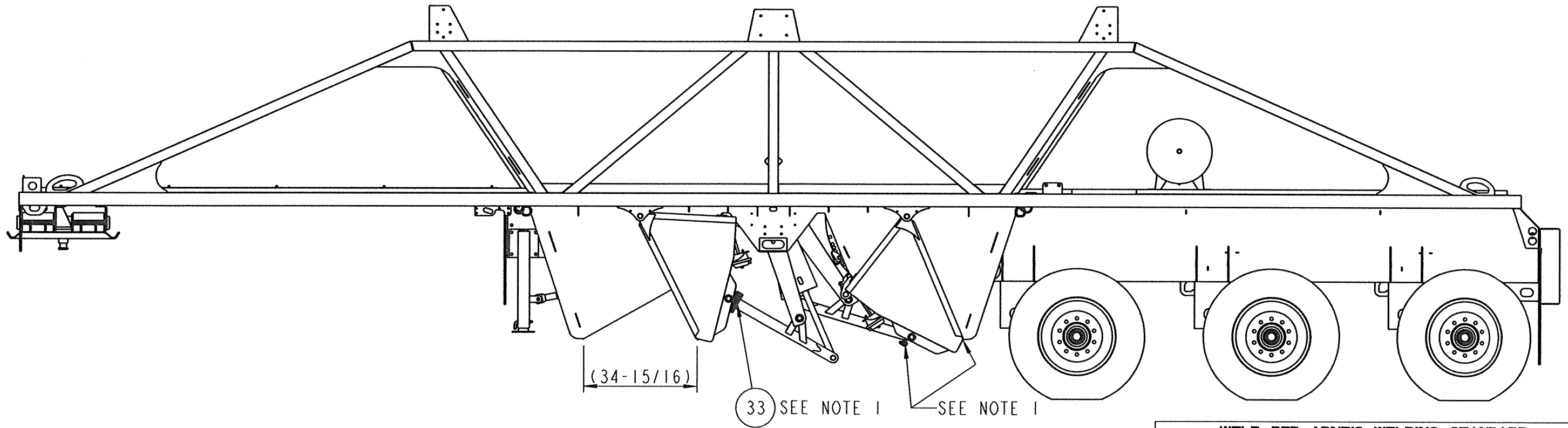
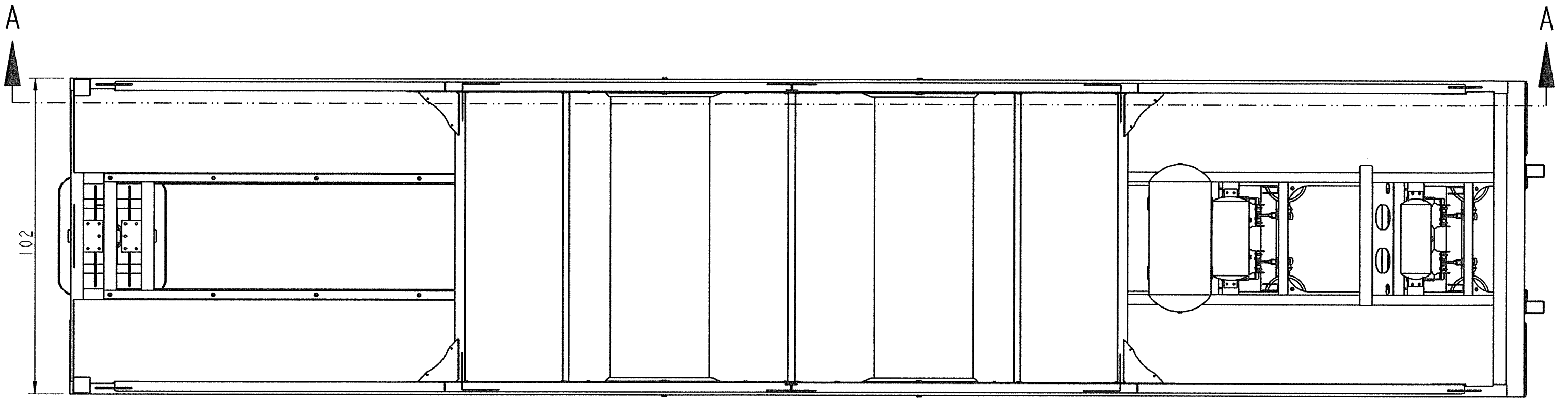


WELD PER ARNE'S WELDING STANDARD

	TOLERANCES
	FRACTIONS $\pm 1/16"$
	DECIMALS $\pm 0.06"$
ANGLES $\pm 0.5^\circ$	



DESCRIPTION:		PAGE	
TRI CROSSGATE		2	
LXG HOPPER		OF	
		13	
DRAWN BY:	DATE:	SCALE:	DRAWING NUMBER
CEM	JUN21/16	7:200	HH032000



NOTES:

1. SHIM LINK ARM ASSEMBLIES AS REQUIRED TO CLOSE GATES TIGHT AGAINST BOX ASSEMBLY.

WELD PER ARNE'S WELDING STANDARD			
	TOLERANCES FRACTIONS $\pm 1/16"$ DECIMALS $\pm 0.06"$ ANGLES $\pm 0.5^\circ$		ARNE'S
	DESCRIPTION: TRI CROSSGATE LXG HOPPER		
DRAWN BY: CEM	DATE: JUN21/16	SCALE: 19:600	DRAWING NUMBER HH032000