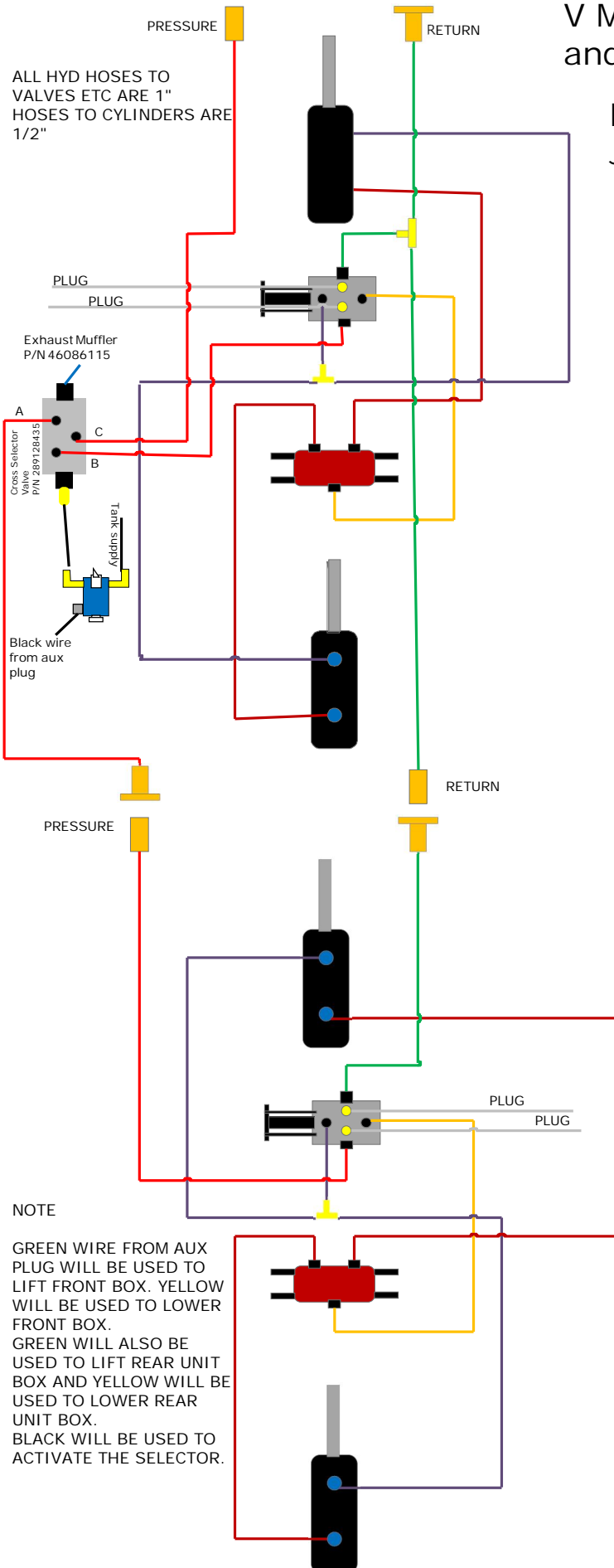


V Max II SD Lead and rear hyd.

BEN SNOW
Jan 17/14



ALL HYD HOSES TO VALVES ETC ARE 1" HOSES TO CYLINDERS ARE 1/2"

Exhaust Muffler P/N 46086115

Cross Selector Valve P/N 289128435

Tank supply
Black wire from aux plug

NOTE
GREEN WIRE FROM AUX PLUG WILL BE USED TO LIFT FRONT BOX. YELLOW WILL BE USED TO LOWER FRONT BOX.
GREEN WILL ALSO BE USED TO LIFT REAR UNIT BOX AND YELLOW WILL BE USED TO LOWER REAR UNIT BOX.
BLACK WILL BE USED TO ACTIVATE THE SELECTOR.