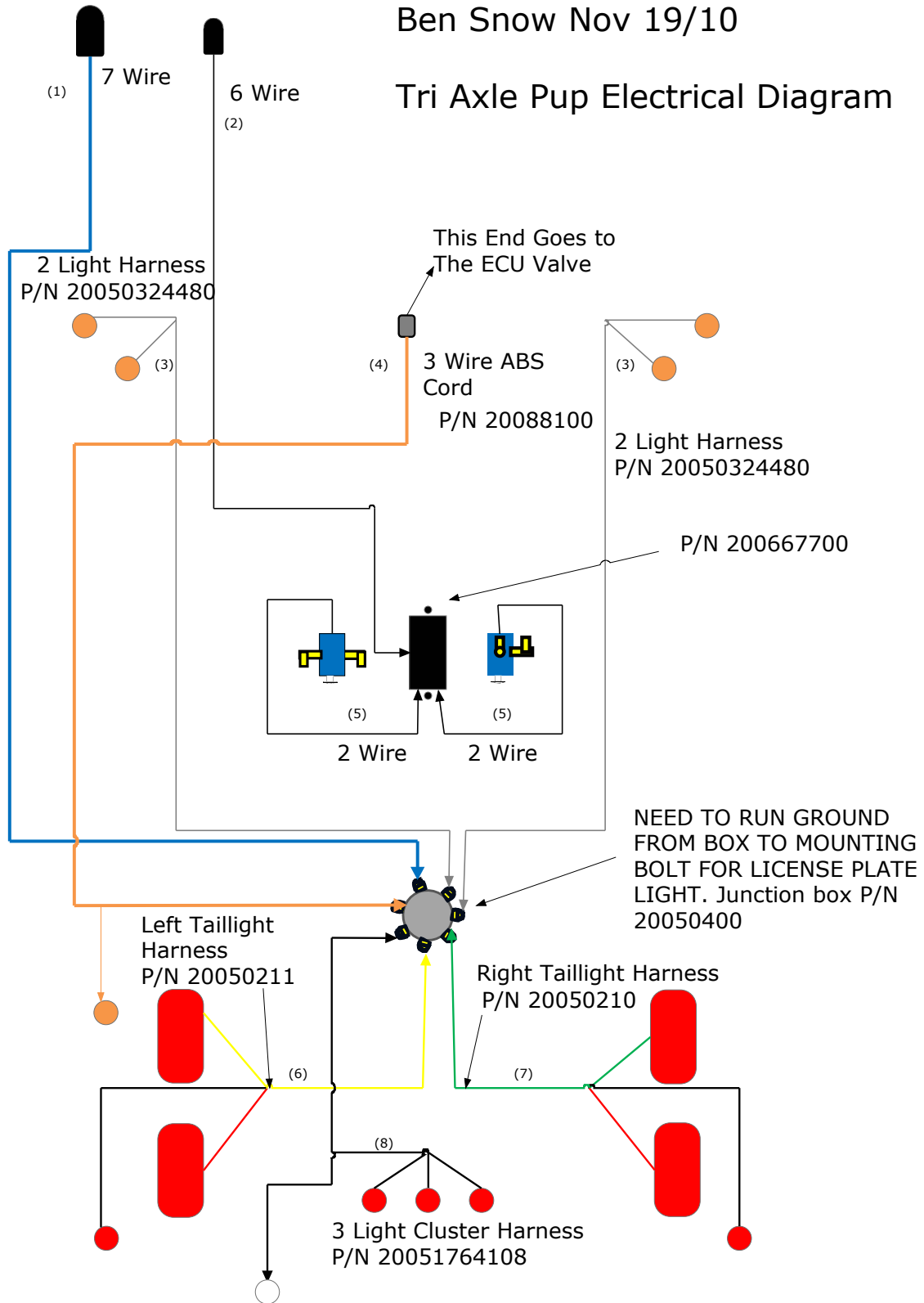


Ben Snow Nov 19/10

# Tri Axle Pup Electrical Diagram



- (1) 7 Wire is color to color
- (2) 6 Wire color to color
- (3) 2 Wire harness brown to black post and white to white Qty 2
- (4) ABS cord color to color
- (5) 2 wire black to green post white to white Qty 2
- (6) Left taillight harness color to color
- (7) Right taillight harness color to color
- (8) 3 light cluster brown to black post and white to white